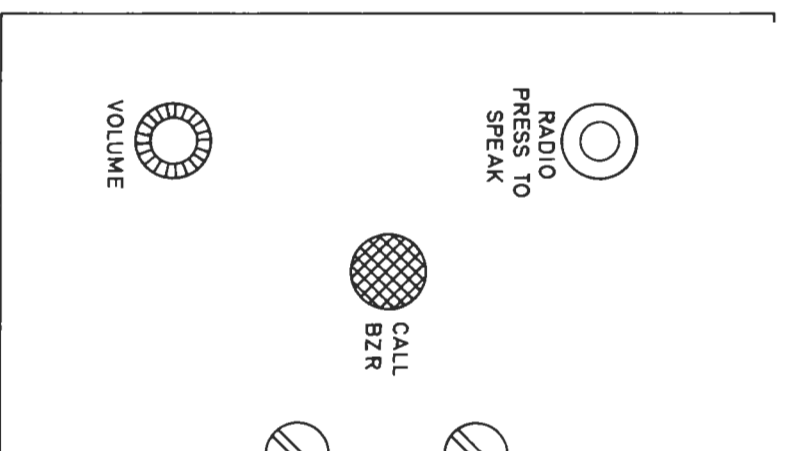
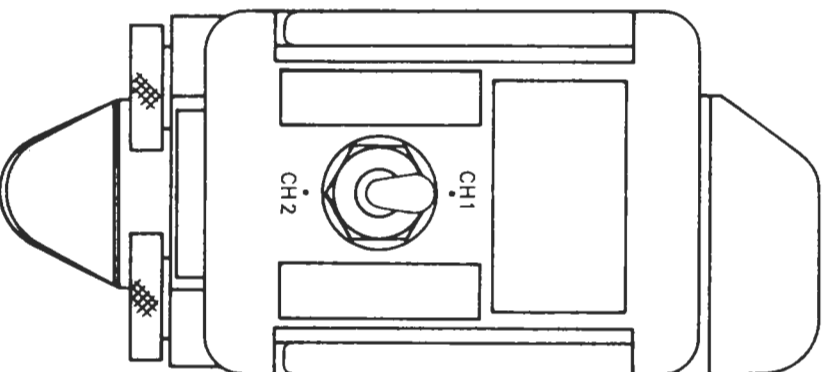


d. AP 164550 OR AP164786
SWITCH UNIT 5 CHANNEL

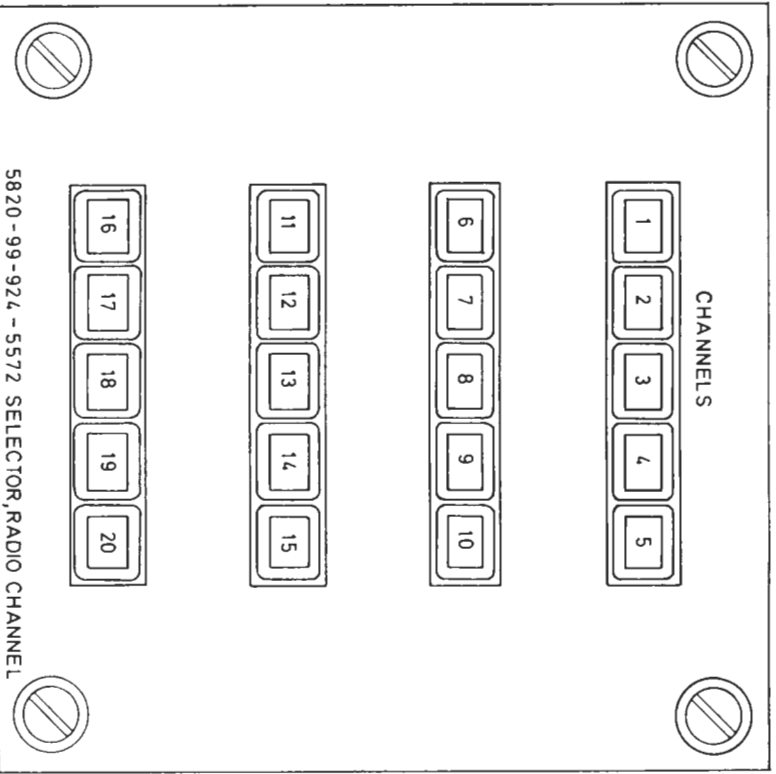
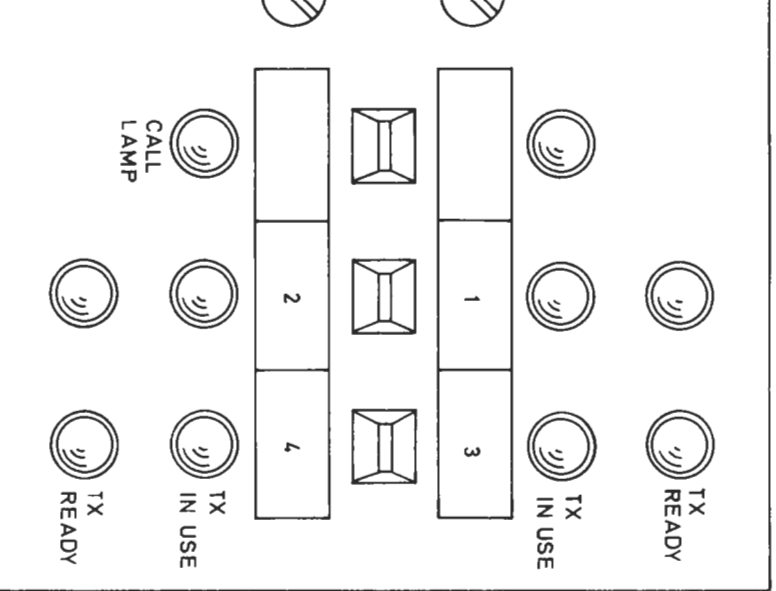


b. VCS UNIT TYPE 107
RADIO CIRCUIT 4 WAY

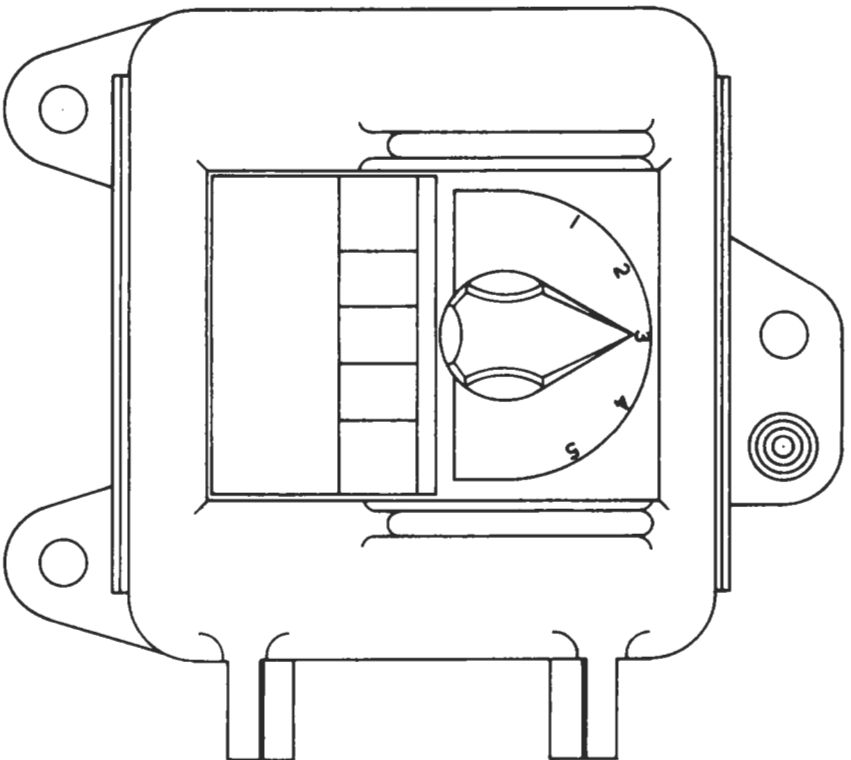


d. AP 164556
SWITCH UNIT 2 CHANNEL (LOUDSPEAKER)

C AND M. SWITCH AND SELECTOR



c. VCS UNIT TYPE 200
SELECTOR RADIO CHANNEL (20 CHANNEL)



e. AP164553
SWITCH UNIT 5 CHANNEL (LOUDSPEAKER AMPLIFIER INPUT)